
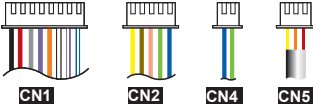




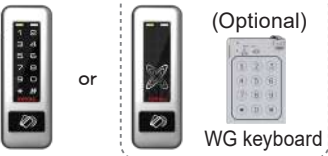
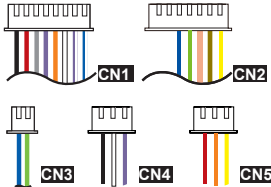
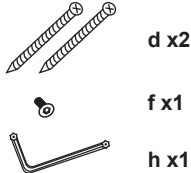


Contents

AR-321-H: Touch-panel Metal Housing


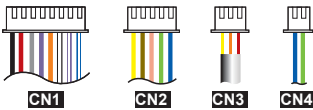

- 1 Product 
- 2 Terminal Cables 
- 3 Tools 
- 4 Water proof Strip 

AR-331-H: Touch-panel Metal Housing / AR-331-H-S: Metal Housing

※ Additional external relay must be purchased.

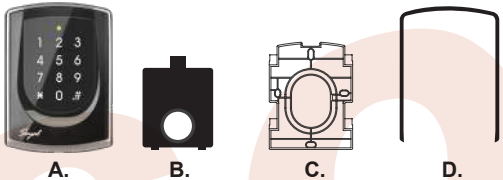
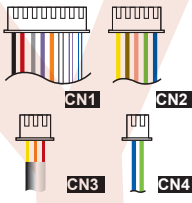
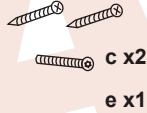
- 1 Product 
- 2 Terminal Cables 
- 3 Tools 
- 4 Accessories 
- 5 Optional 

AR-721-H


- 1 Product 
- 2 Terminal Cables 
- 3 Tools 

AR-725-H: Illuminated Touch-panel

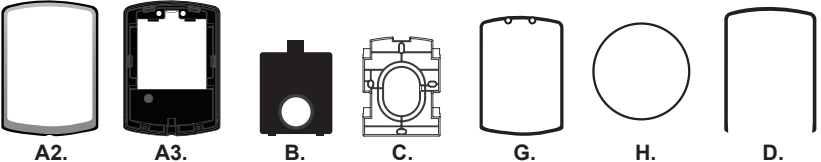
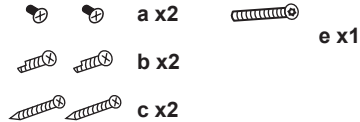
AR-725-H-M

- 1 Products 
- 2 Terminal Cables 
- 3 Tools 


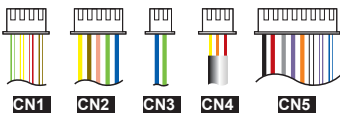

AR-725-H

- 1 Products 
- 2 Terminal Cables 
- 3 Tools 









AR-725 (X)

- 1 Products 
- 2 Tools 

AR-757-H

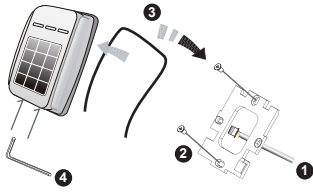
- 1 Product 
- 2 Terminal Cables 
- 3 Tools 

Parts Description

- a.  Button Head Pozidriv Tapping Screw: M3x10
- b.  Button Head Pozidriv Slotting Screw: 2.5x10
- c.  Flat Head Cap Philips Tapping Screw: 4x19.1
- d.  Flat Head Cap Philips Tapping Screw: 4x38
- e.  Security Torx Screw: M3.5x15
- f.  Flat Head Hex Socket Screw: M3x8
- g.  Security Torx Screw: M3x10
- h.  Security Torx Wrenches

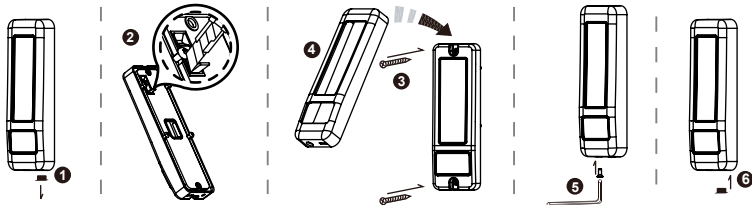
Installation

AR-321-H



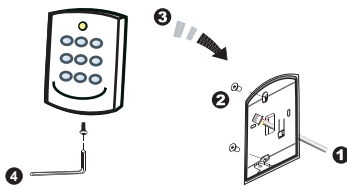
- Pull the cables from the square hole of the mounting plate.
- Use a screwdriver to screw the mounting plate onto the wall.
- Attach the water proof strip to the body, then connect the terminal cables to the body and attach the body to the mounting plate.
- Use the Allen key and screws (accessories supplied) to assemble the body onto the mounting plate.
- Turn on the power, and LED will light and beep will sound.

AR-331-H / AR-331-H-S



- Remove the rubber plug.
- To cut tamper-resistant column and make it fit the appropriate height for actual installation.
- First, take off the metal casing then screw the controller on the wall.
- Second, put the metal casing back and lock it with security screw.
- Finally, put the rubber plug into the hole.
- Turn on the power, and LED will light and beep will sound.

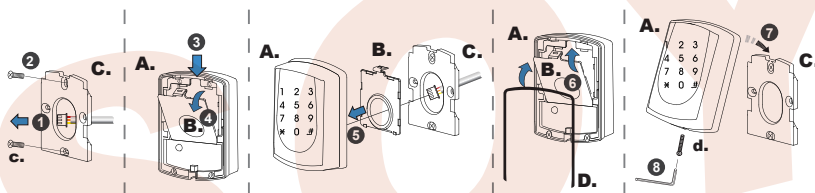
AR-721-H



- Pull the cables from the square hole of the mounting plate.
- Use a screwdriver to screw the base onto the wall.
- Connect the terminal cables to the body and attach the body to the mounting plate.
- Assemble the covers with the Allen key and screws (accessories supplied).
- Turn on the power and LED will light and beep will sound.

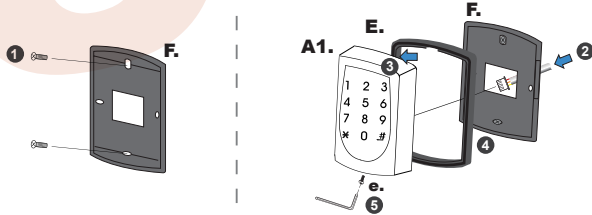
AR-725-H

AR-725-H-M



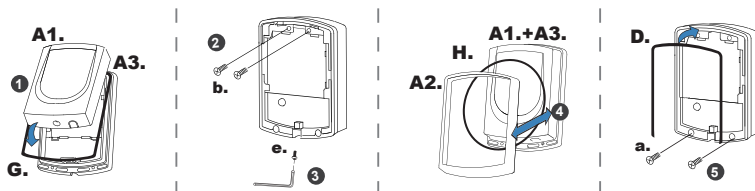
- Pull the cables from the square access hole of the mounting plate C.
- Use a screwdriver to screw the metal plate C onto the wall.
- Take off the plastic mounting plate B from the body A, and pull the cables through the access hole of C and B, then connect to the body A.
- Assemble plate B with the body A, and embed the water proof strip D onto the plastic side frame.
- Assemble the body A onto the mounting plate C with the Allen key and screws (accessories supplied).
- Turn on the power and LED will light and beep will sound.

AR-725-H



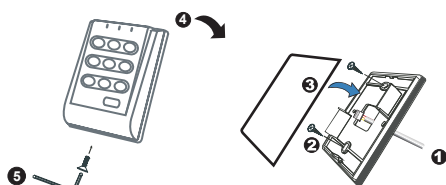
- Use a screwdriver to screw the base F onto the wall.
- Attach the water proof gasket to the body A1, and pull the cables from the square hole of the base F, and connect to the body A1.
- Assemble the body A1 with the base F.
- Screw A1 and F tight with the Allen key and screws (accessories supplied).
- Turn on the power and LED will light and beep will sound.

AR-725 (X)



- Put on G, and attach A1 onto the plastic plate A3, and screw it with the Allen key and screws (accessories supplied).
- Put the ring O on the metal frame, and put them together onto the reader A1+A3, and screw them and buckle up the 4 buckles on the back.
- Embed the water proof strip D onto the frame side of the base.
- Following by the install process of AR-725 (H-M)

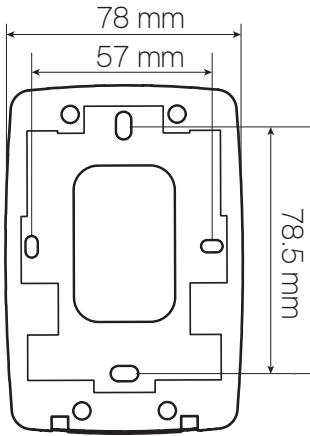
AR-757-H



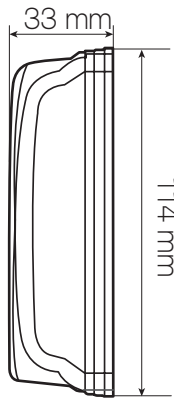
- Pull the cables from the square hole of the mounting plate.
- Use a screwdriver to screw the base onto the wall.
- Embed the water proof strip 3 onto the frame side of the base.
- Connect the terminal cables to the body and attach the body to the mounting plate.
- Assemble the covers with the Allen key and screws (accessories supplied).
- Turn on the power and LED will light and beep will sound.

Installation(mm)

AR-321-H

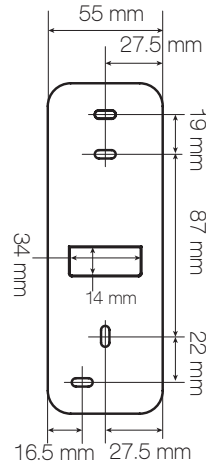


(Front View)



(Side View)

AR-331-H / AR-331-H-S

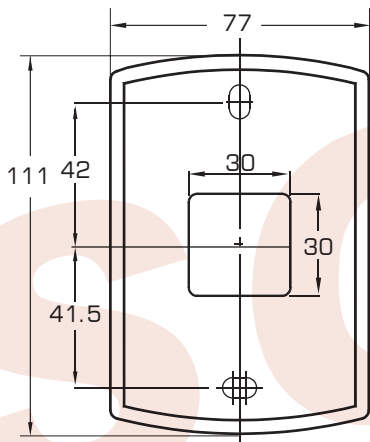


(Front View)

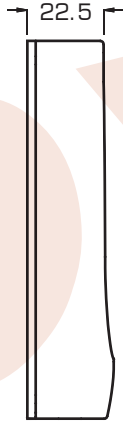


(Side View)

AR-721-H

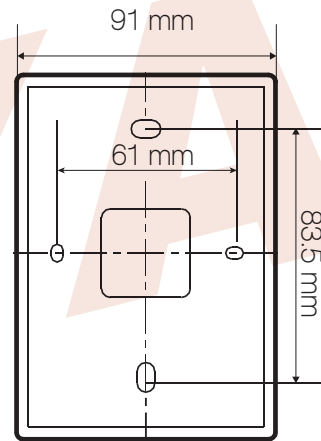


(Front View)

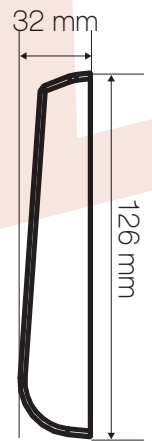


(Side View)

AR-757-H



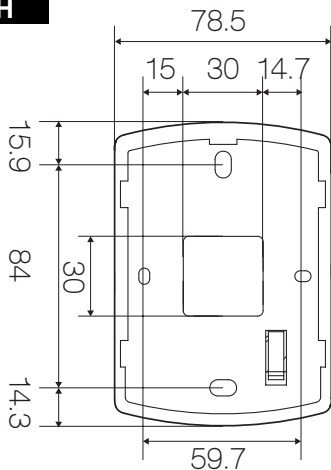
(Front View)



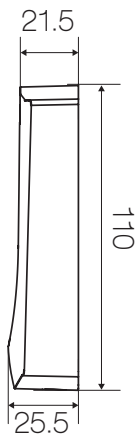
(Side View)

AR-725-H / AR-725-H-M

AR-725-H

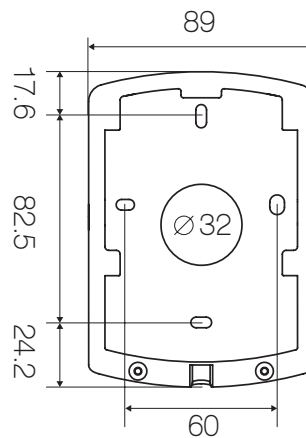


(Front View)

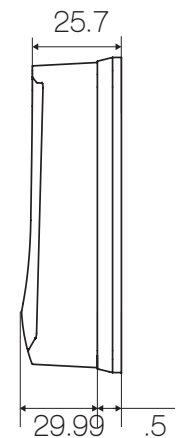


(Side View)

AR-725-H-M



(Front View)



(Side View)

Notice

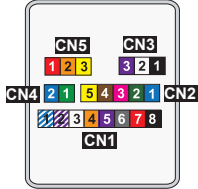
- 1.Tubing:** The communication wires and power line should NOT be bound in the same conduit or tubing.
- 2.Wire selection:** Use AWG 22-24 Shielded Twist Pair to avoid star wiring.
- 3.Power supply:** Don't equip controller and lock with the same power supply. The power for controller may be unstable when the lock is activating, that may make the controller malfunction.
The standard installation: Door relay and lock use the same power supply, and controller use independent power supply.

Connector Table

AR-321-H

125kHz

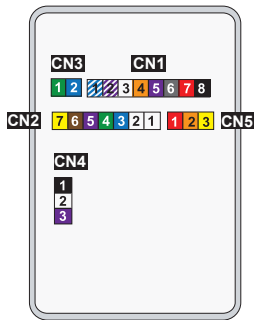
13.56MHz



AR-331-H / AR-331-H-S

125kHz

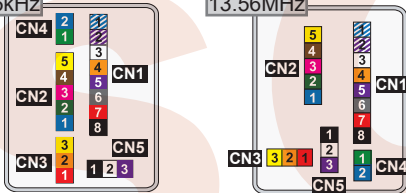
13.56MHz



AR-721-H

125kHz

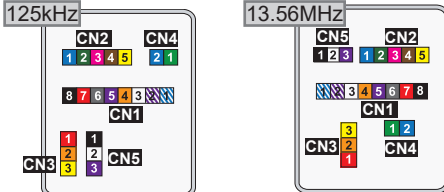
13.56MHz



AR-725-H

125kHz

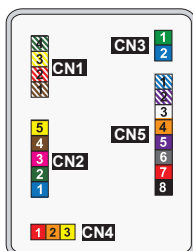
13.56MHz



AR-757-H

125kHz

13.56MHz



Cable : Power/Door/Alarm

AR-321-H	AR-331-H	AR-721-H	AR-725-H	AR-757-H
CN1	CN1	CN1	CN1	CN5

Wire Application	Pin	Color	Description
Lock Relay	1	Blue White	(N.O.) DC24V1Amp
	2	Purple White	(N.C.) DC24V1Amp
Common-COM-Point	3	White	(COM) DC24V1Amp
Door Sensor	4	Orange	Negative Trigger Input
Exit Switch	5	Purple	Negative Trigger Input
Alarm Relay	6	Gray	Low output; Max 12V/100mA (Open Collector)
Power	7	Thick Red	DC Power 12V
	8	Thick Black	DC Power 0V

Cable : WG **CN2**

(Apply to 321H/721H/725H/757H)

Wire Application	Pin	Color	Description
Wiegand	1	Thin Blue	Wiegand DAT:1 Input
	2	Thin Green	Wiegand DAT:0 Input
Beeper	3	Pink	Beeper Output 5V/100mA, Low
LED	4	Brown	LED Green Output 5V/20mA, Max
	5	Yellow	LED Red Output 5V/20mA, Max

(Apply to 331H)

Wire Application	Pin	Color	Description
---	1	--	Reserved
	2	--	Reserved
Wiegand Reader	3	Thin Blue	Wiegand DAT:1 Input
	4	Thin Green	Wiegand DAT:0 Input
Beeper	5	Pink	Beeper Output 5V/100mA, Low
LED	6	Brown	LED Green Output 5V/20mA, Max
	7	Yellow	LED Red Output 5V/20mA, Max

Cable : Burglary (Optional)

AR-321-H	AR-331-H	AR-721-H	AR-725-H	AR-757-H
CN3	CN4 (Included)	CN5	CN5	---

Wire Application	Pin	Color	Description
3-PIN Connector	1	Black	GND.
	2	White	Duress
	3	Purple	Arming/ Security trigger signal

Cable : RS-485

AR-321-H	AR-331-H	AR-721-H	AR-725-H	AR-757-H
CN4	CN3	CN4	CN4	CN3

Wire Application	Pin	Color	Description
Networking Module	1	Thick Green	RS-485(B-)
	2	Thick Blue	RS-485(A+)

Cable : Tamper

※After S/N: 0706-XXXXXX

AR-321-H	AR-331-H	AR-721-H	AR-725-H	AR-757-H
CN5	CN5	CN3	CN3	CN4

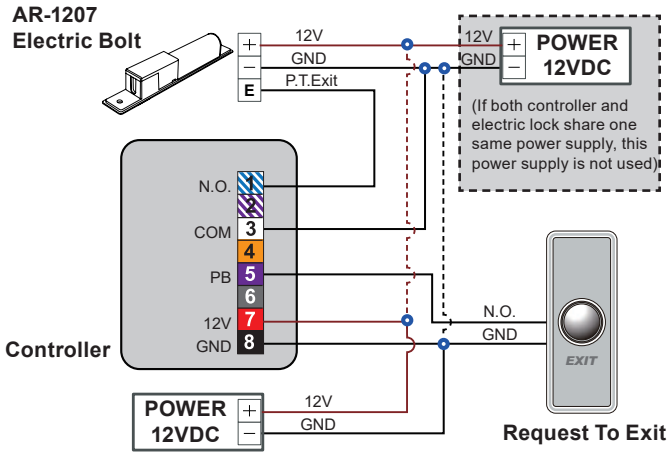
Wire Application	Pin	Color	Description
Tamper Switch	1	Red	N.C.
	2	Orange	COM
	3	Yellow	N.O.

Cable : Burglary / Security Relay **CN1** (Apply to 757-H)

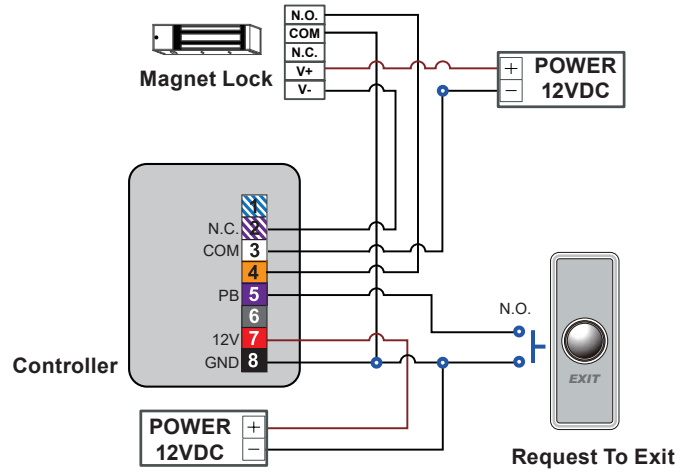
Wire Application	Pin	Color	Description
Doorbell	1	Brown White	BE Output
Arming	2	Red White	AR Output/ Security trigger signal Output
Duress	3	Yellow White	DU Output/ TTL out
LED indicator	4	Green White	Hi input/ Green light brighten

Wiring Diagram

Connect to Electric Bolt

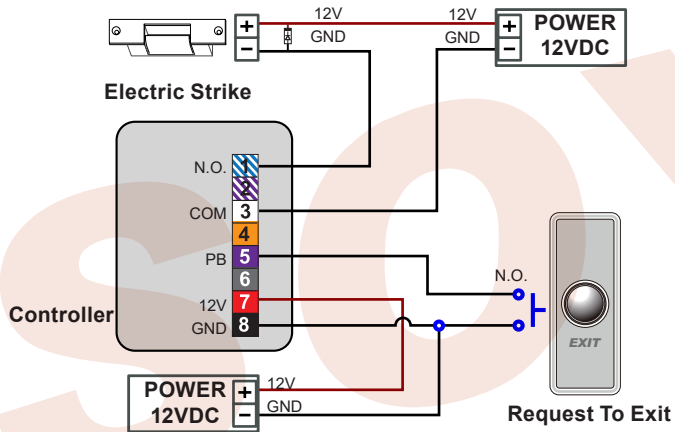


Connect to Magnetic Lock

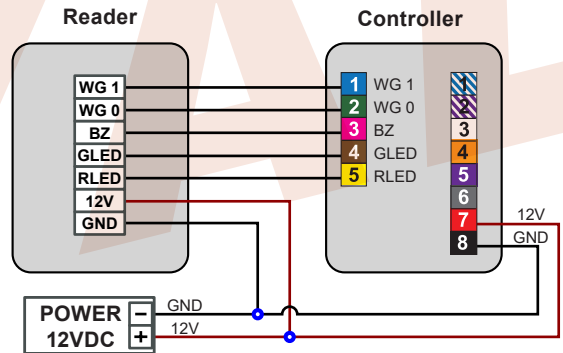


※ The above wiring diagram is used for two power supply configuration. If the controller and the electric lock share one same power supply, please connect the V+ & V- of the electric lock to the V+ and V- of the power supply of the controller.

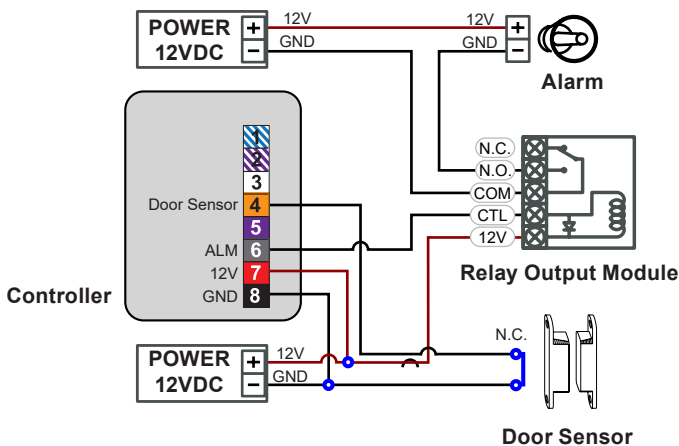
Connect to Electric Strike



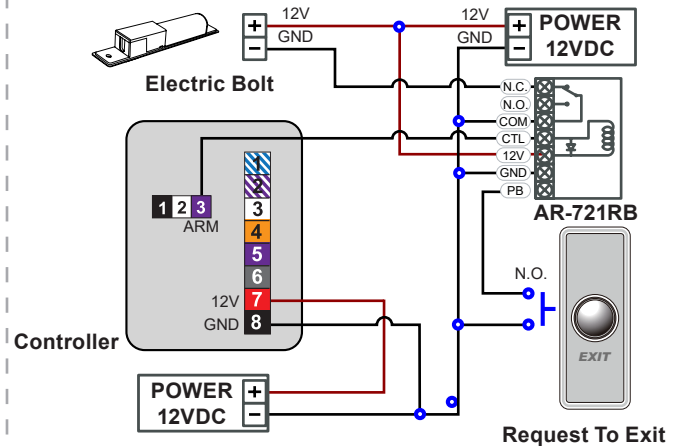
Connect to Reader



Connect to Door Sensor



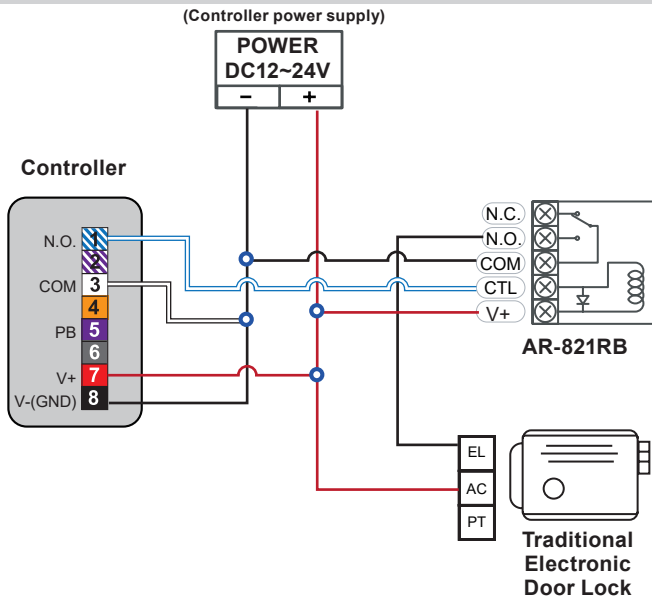
Strengthen security with AR-721RB



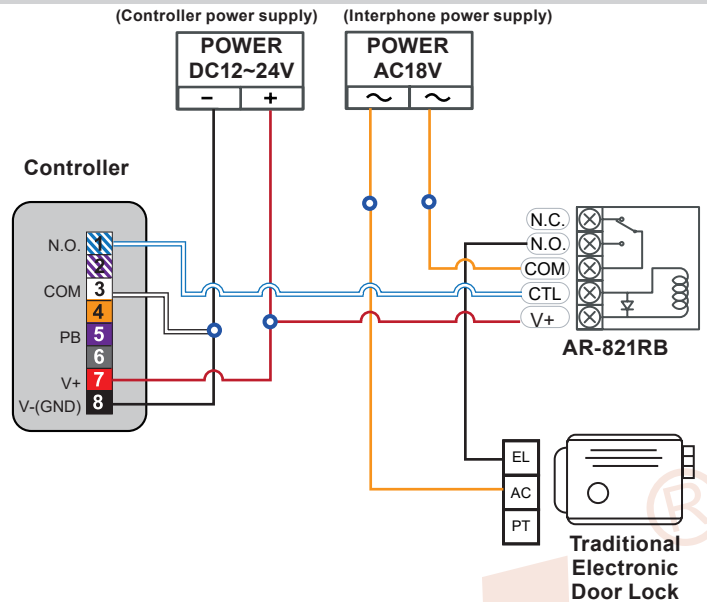
※ 1.Enable the security trigger signal: Please refer to the 34 * ??? #
2.Disable "Exit by RTE Button". (Please refer to the 20 * ??? # of function default value.)

Wiring Diagram

Traditional Electronic Door Lock wiring diagram adopted with controller power supply

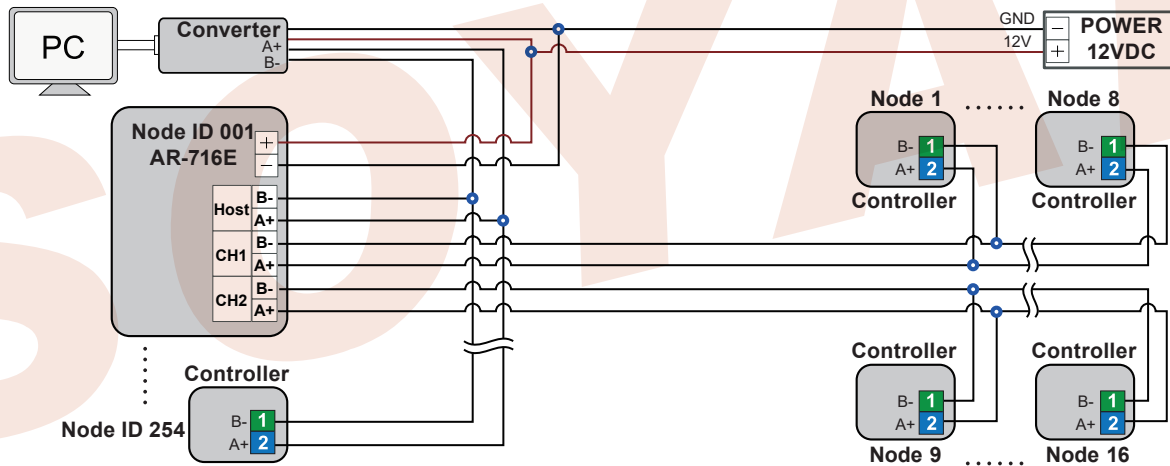


Traditional Electronic Door Lock wiring diagram adopted with interphone power supply



※ This wiring diagram function is required to setup Door Relay Time in 1 sec, please refer to 02 * TTT # command.

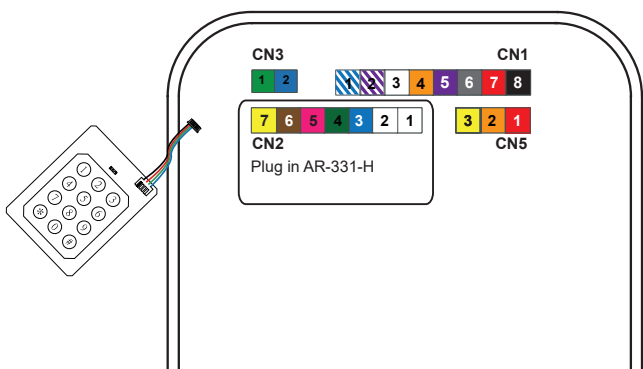
Connect to Networking



AR-331-H External WG keyboard

※ If you want to program system on AR-331-H directly, please order WG keyboard then install it according to the following pattern.

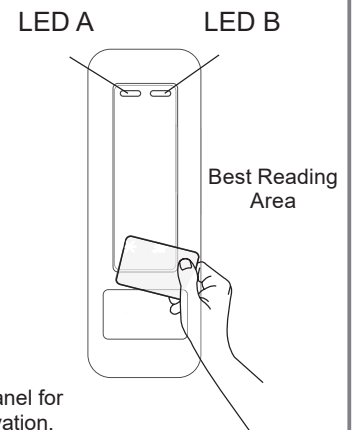
- Plug AR-331-H into CN2 connector on the mainboard
- Refer to command list and start to operate AR-331-H.



AR-331-H Front Panel & Indicator

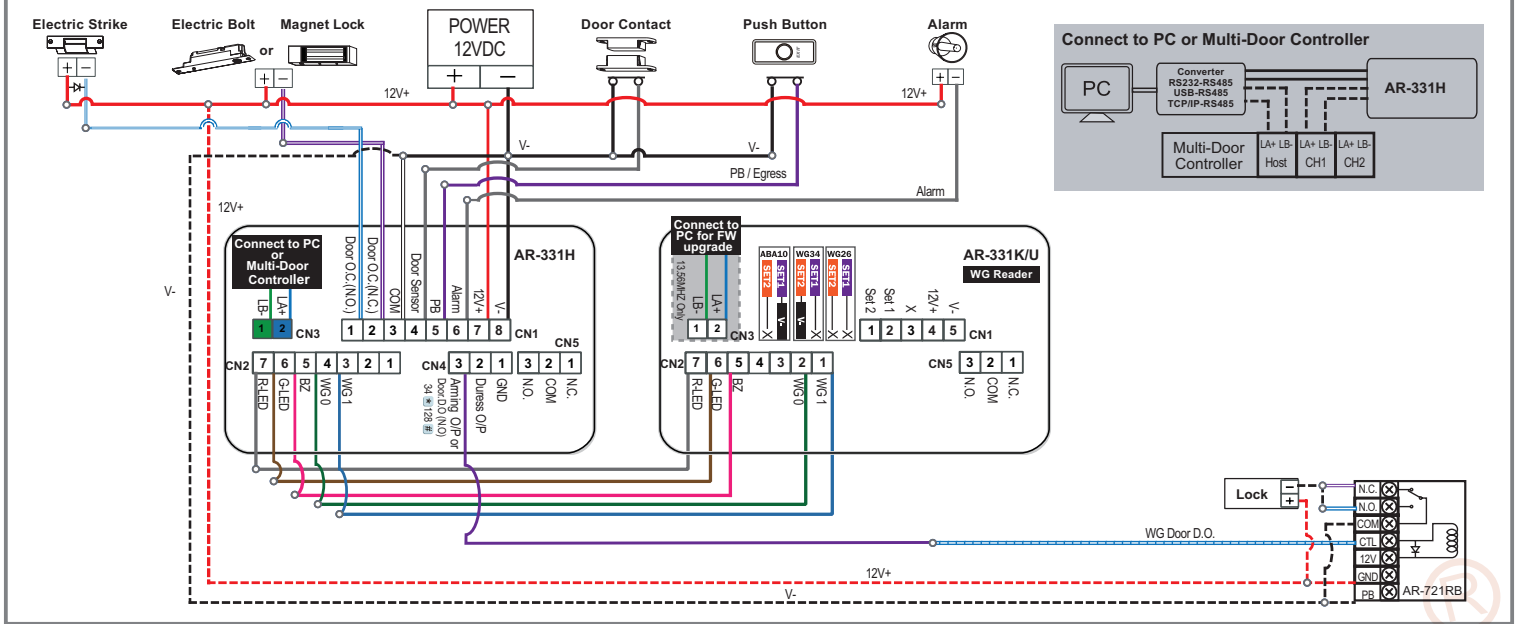
LED A	Description
Blue	Arming / Blue LED Input (Active High)
Yellow	Yellow LED Input (Active High)

LED B	Description
Green	Power-on/Stand-by /OK
Red	Error/Alarm



While power on the device, hands off panel for 10 sec. to make sure a successful activation.

AR-331-H Connector Table



Master Code modification / Change the Node ID of Controller

Enter / Exit Program Mode

- Enter the program mode

Input *123456# or *PPPPPP#

[e.g.] The Default Value= 123456, if the Master Code is already changed= 876112, input * 876112# → program mode entered

- Exit the program mode

Input * #

- Master Code modification

Enter program mode → 09 *PPPPPPRRRRR# [Input the 6-digit new master code twice.]

[e.g.] Set the Master code to be 876112, input * 123456# → 09 * 876112876112#

Change the Node ID of Controller

Enter program mode → 00 *NNN# [Node ID: 001~254; if the access controller is connected to AR-716E, its Node ID will be 001~016.]

M4 / M6 / M8

Mode	Networking/ Standalone	User Capacity	Access Mode	Auto-show Duty time	Event log Capacity	120 Holidays	Duress Function	Time Zone	Lift Control	Anti-pass- back
M4	Networking/ Standalone	1,024 {721-H/757-H} 3,000 {321-H/331-H/ 725-H}	1.Card only 2.Card and PIN (4-digit PIN)+ # 3.User Address (5-digit) + PIN (4-digit Private PIN) + #	Yes	1,200 721-H 1,500 321-H/331-H/ 725 (H) 3,000 757-H	Yes	Yes	11	32	Yes
M6	Standalone	65,535	1.Card only (using 17* command to set Arming PWD as 0000) 2.Card and PIN (4-digit public PIN)+ # 3.Card or PIN (4-digit public PIN)	No	No	No	No	No	No	No
M8 (Default Value)	Networking/ Standalone	1,024 {721-H/757-H} 3,000 {321-H/331-H/ 725-H}	1.Card only 2.Card and PIN (4-digit Private PIN)+ # 3.Card or PIN (4-digit Private PIN)	Yes	1,200 721-H 1,500 321-H/331-H/ 725 (H) 3,000 757-H	Yes	Yes	11	32	Yes

※ **M6**: the user capacity can be 65535 because it only reads 5-digits **CARD CODE**, while in **M4/M8** it reads both **SITE CODE** and **CARD CODE**(10 digits).

※ Confirm the access mode by assessing the beep sounds while entering the Program Mode(**M4**-4 beeps/**M6**-6 beeps/**M8**-8 beeps)

※ Default Card UID Length is 4 (Could not change by command and only be able to change by customized firmware)

C.Set up M4/M6/M8

Enter program mode → 04 *N# [N=4/6/8]

(Note : The modification of controller mode between M4/M8(networking) and M6(standalone) will reset the data, user data will be required to rebuild.)

Adding and Deleting Tag

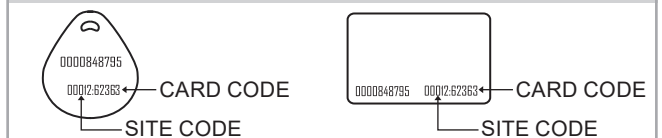
M4/M8

Add New Tags

- Add by Presenting Tags (apply to Single Tag or a Batch of Tags)

※**Important Notice**: Please remember the last user address being added to make sure the old user data is not being over written with the new card in the future.

Tag Information (125kHz) ※ For Mifare tags, the separator between Site Code & Card Code is comma ",".



Add Non-consecutive Tags:

[Add single tag] Add a new tag for selected user address 100:

Enter program mode → 19 * 00100 * 00001 # → Present the tag → Successfully added tag of user 100

[Add 2 additional tags] Add new tags to the following user address 101-102:

Enter program mode → 19 * 00101 * 00001 # → Present (User 101) card → Present (User 102) card
→ Successfully added tags of user 101-102

[Add 10 additional tags] Add new tags to the following user address 103-112

Enter program mode → 19 * 00103 * 00001 # → Present (User 103) card → Present (User 104) card → Present (...) card
→ Present (User 111) card → Present (User 112) card → Successfully added tags of user 103-112

Add Consecutive Tags:

[Add 50 consecutive tags] Add 50 new tags with consecutive card number following user address 00050-00150:

Enter program mode → 19 * 00050 * 001001 # → Successfully added tags of user 50-150

Suspend Tags

• Suspend Single Tag or a Batch of Tags (by Card Code in Sequence)

Input * 123456 # (or Master Code) → 10 * SSSSS * EEEEE #

[e.g.] Suspend by Card Code: 00058

Enter program mode → 10 * 00058 * 00058 #

[e.g.] Suspend by Card Code: 00058~00063

Enter program mode → 10 * 00058 * 00063 #

Delete Tags

• Delete Single Tag or a Batch of Tags (by Card Code)

Input * 123456 # (or Master Code) → 10 * SSSSS 9 EEEEE #

[e.g.] Delete by Card Code: 00058

Enter program mode → 10 * 00058 9 00058 #

[e.g.] Delete by Card Code: 00058~00063

Enter program mode → 10 * 00058 9 00063 #

• Delete All Tags

Input * 123456 # (or Master Code) → 29 * 29 * #

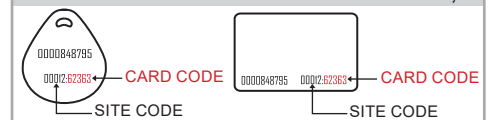
M6

The default value of access function of M6 is Card and PIN, it will have 3 beeps for hinting you input PIN number after card presentation. Access function modification please refer the table below:

Access Mode	Command	Description
Card and PIN	17 * ??? # 15 * 0000 #	????=4-digit PIN(0001~9999 ; default value=1234)
Card only	17 * 0000 # 15 * 0000 #	
Card or PIN	17 * 0000 # 15 * ??? #	????=4-digit PIN(0001~9999 ; default value=4321)

Tag Information

(125kHz) * For Mifare tags, the separator between Site Code & Card Code is comma ",".



※M6 Mode only access Card Number

Add New Tags

• Add a Single Tag (by Presenting the Tag) :

Input * 123456 # (or Master Code) → 22 * 1 #

[e.g.] Add single tag :

Enter program mode → 22 * 1 #

→ Present the tag to Access Controller → OK

• Add a Batch of Tags (by Presenting the Tags):

Input * 123456 # (or Master Code) → 22 * 1 #

[e.g.] There are 20 tags to add:

Enter program mode → 22 * 1 #

→ Present 20 tags one by one → OK

• Add Single Tag (by Card Code) * Card Code should not be repeated

Input * 123456 # (or Master Code) → 11 * SSSSS * EEEEE # → OK

[e.g.] Add one card with Card Code 61632

Enter program mode → 11 * 61632 * 61632 # → OK

• Add a Batch of Tags (by Card Code) * Card Code should not be repeated * by Card Code in Sequence

Input * 123456 # (or Master Code) → 11 * SSSSS * EEEEE # → OK

[e.g.] Add a batch of user with sequential Card Number of user address 12058 until 12559 (total 500 tags)

Enter program mode → 11 * 12058 * 12599 # → OK

Delete Tags

• Delete Tag (by Presenting the Tag) :

Input * 123456 # (or Master Code) → 22 * 0 #

[e.g.] Delete single tag :

Enter program mode → 22 * 0 # → Present the tag to Access Controller → OK

- **Delete Tags (by Card Code) :**

Input *123456# (or Master Code) → 10*SSSSS9EEEE# → OK

[e.g.] Delete a tag with card code 62362

Enter program mode → 10*62362962362# → OK

- **Delete All Tags:**

Input *123456# (or Master Code) → 29*29*#

Operation process

Set up the password

- **M4/M8: Private PIN**

Card or PIN: Enter program mode → 12*UUUUU*????# [e.g. User Address: 00001 and pass code: 1234, input 12*00001*1234#]

Card and PIN: Enter program mode → 13*UUUUU*????# [e.g. User Address: 00001 and pass code: 1234, input 13*00001*1234#]

- **M6: Public PIN**

Card or PIN: Enter program mode → 15*????# [Input 4-digit PIN, default value: 4321; PPPP=0000: cancel the function of simply inputting PIN to get access]

Card and PIN: Enter program mode → 17*????# [Input 4-digit PIN, default value: 1234; PPPP=0000: access mode will be "Card Only"]

Dual-door Control (M4/M8)

Controller equipped with a reader, the reader will be available to control another door..

Enter program mode → 28*064# [064= Dual-door Control]

Anti-pass-back (M4/M8)

Usually, anti-pass-back is commonly applied to parking areas in order to prevent from multi-entry with one card at a time, or to locations that need entry and exit control.

- **Enable controller**

Enter program mode → 20*??# [128= Anti-pass-back(0=Disable; 1=Enable)/ 064=Entrance/Exit(0=Exit; 1=Entrance).]

[e.g.] Enable Anti-pass-back, and set to Exit door= (128 x 1) + (064 x 0) = 128

Enter program mode → 20*128# (Please refer to function default value for details.)

- **Enable card**

Enter program mode → 26*SSSSS*EEEEEN#

[SSSSS= Starting User Address; EEEEE= Ending User Address; N=0(control)/ 1(Not control)/ 2(reset)]

[e.g.] Enable the anti-pass-back function of User Address from 00152 to 00684: 26*00152*00684*0#

[e.g.] The anti-pass-back function of User Address 00154 has been enabled. After presenting the card to get in, the user doesn't present the card to leave. When s/he tries to present the card to get in again, since the in-in sequence violates the anti-pass-back rule, s/he will be rejected. To solve this problem, you can reset it as follows. Enter program mode → 26*00154*00154*2# → Reset

Auto Open Access (uncontrolled) Time Zone – Automatically Release Door Lock

Door will remain open after flashing one valid card. There are 2 time zones supported when Standalone, and 63 time zones when connected to AR-716-E. Please refer to paragraph [Compound Command Function List](#) below to ensure command 20*??# / 24*??# will not reset the functions that already had been changed.

- **Enable/Disable auto-open time zone**

Enter program mode → 20*004# [004= enable Auto-Open Time Zone; 000= disable Auto-Open Time Zone]

- **Enable/Disable auto open door without presenting one valid card and Automatically release door lock when auto open time is up**

Enter program mode → 24*001# [001=enable auto-open door without presenting one valid card : 000=disable auto-open door without presenting one valid card]

- **Set up auto-open time zone**

Enter program mode → 08*N*HHMMhhmm*111111H#

N: 2 sets of auto-open zone (N=0=1st set; N=1=2nd set)

HHMMhhmm=Staring time to ending time (e.g. 08301200=08:30 to 12:00)

111111H = 7 days of a week (Sun/Mon/Tue/Wed/Thu/Fri/Sat) + Holiday (H= 0: disable; 1: enable); Holidays can be set via 701Client software.

[e.g.] To set the second time zone as 9:30 AM to 4:20 PM, Monday, Wednesday and Friday: 08*1*09301620*01010100# → Done

H. Lift control

Connect with **AR-401-IO-0016R** to control access floors of users.

• Enable

Enter program mode → 24 * 002 # [002= enable lift control]

• Single floor

Enter program mode → 27 * UUUUU * FF #

UUUU=User Address FF=Floor number (01~32 floor)

[e.g.] User Address NO. 45, allowed to access the 24th floor: 27 * 00045 * 24 #

• Multi floors

Enter program mode → 21 * UUUUU * S * FFFFFFFF #

[UUUUU=User Address S: 4 sets of lift control (Input: 0~3) FFFFFFFF:

8 floors setting (F=0: Disable, F=1: Enable)

[e.g.] User Address NO. 168, only to the 6th and the 20th floor:

Enter program mode → 21 * 00168 * 0 * 00100000 #

→ 21 * 00168 * 2 * 00001000 #

Please refer to below floor chart

Set	Floor/ Stop							
	F	F	F	F	F	F	F	F
0	8	7	6	5	4	3	2	1
1	16	15	14	13	12	11	10	9
2	24	23	22	21	20	19	18	17
3	32	31	30	29	28	27	26	25

I. Setting Up the Arming

Controller could be set as Standby Mode (Disarming mode) or Arming Mode according to user requirement, the alarm triggering application of two modes are different, please refer to the graphical description comparison as below:

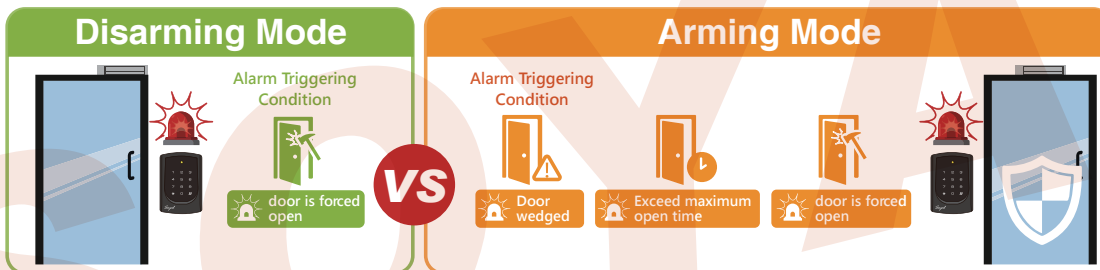
• Alarm triggering condition of Disarming

Mode:

1. Forced open

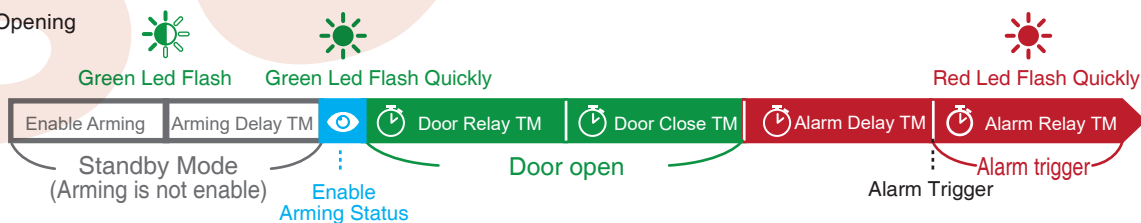
• Alarm triggering condition of Arming Mode:

1. **Exceed max. open time:** Door is opened exceeding door maximum open time limit plus door close time.
2. **Forced open:** Access by force or illegal procedure, rather than valid card, PIN or biometric recognition.
3. **Door wedged:** Controller restart after power has returned in power outage condition but door status abnormal.

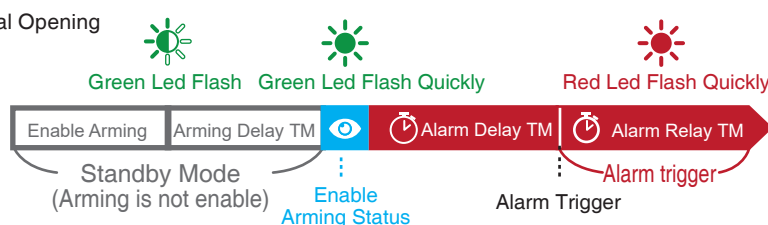


• Arming Setting and Alarm Trigger Procedure :

1. Normal Opening



2. Abnormal Opening



• Enable/Disable Arming status (for M4/M8):

Enter Programming Mode	
Enable:	Enter program mode → * * #
Disable:	Enter program mode → * #

Without Enter Programming Mode (Standby Mode): Enter Arming Code (default value of arming PWD is: 1234)
After door open : The normal procedure to open door → Input 4-digit arming PWD → #
Do not open the door : * → Input 4-digit arming PWD → Present a valid card

※ [The normal procedure to open door] can refer to [Access Mode].

※ Read the [Command List-Arming /Duress Function Setting] below to modify arming PWD.

※ M6 is Standalone Mode, the mode is without Arming /Duress Function.

More Details:

- [SOYAL Security Related Function](#)

Compound Command Function List

Weighted Value Manual :

Step 1:

Select the "Function" that you need for each Compound Command category (20 *, 24 *, etc)



Step 2:

"Selection" of the function that you need is either have 0 or 1 value.

Step 3:

Subtract the "Value" of each Option with Selection.

Function = [0(deactive)*Value] ; [1(activate)*Value]



Step 4:

Add up all of the Function per Compound Command

(20 *, 24 *, etc)

AR-321-H / AR-331-H / AR-721-H / AR-725-H / AR-757-H

20 * ??? #				※Default Value
Function	Selection		Value	Application
Time Attendance	※0: Yes	1: No	001	Networking
Auto Relock	※0: Disable	1: Enable	002	Networking/Standalone
Auto Open	※0: Disable	1: Enable	004	Networking/Standalone
Exit by RTE Button	0: Disable	※1: Enable	016	Networking/Standalone
Master Controller of Network	※0: Slave	1: Mater	032	Networking
Entrance/Exit	※0: Exit	1: Entrance	064	Networking
Anti-pass-back	※0: Disable	1: Enable	128	Networking

Select the desired function, Weighted Value = Selection Index (0 or 1) x Value.

[e.g.] ??? (total weighted value of all functions): Enable "Auto Open" + "Exit by RTE Button" + "Anti-pass-back"

=1*004 + 1*016 + 1*128=148; As a result of that, the command will be 20 * 148 # .

28 * ??? #				※Default Value
Function	Selection		Value	Application
Dual-door Control	※0: Disable	1: Enable	064	Networking/Standalone
Force Open Alarm Output	※0: Disable	1: Enable	128	Networking/Standalone

34 * ??? #				※Default Value
Function	Selection		Value	Application
Enable the RF after door sensor closed to GND	※0: Deactivate	1: Activate	001	Networking/Standalone
Invalid card to activate alarm relay	※0: Deactivate	1: Activate	002	Networking/Standalone
Turn off all sounds of beeper	※0: Deactivate	1: Activate	003	Networking/Standalone
Mute the sounds of egress button (RTE)	※0: Deactivate	1: Activate	004	Networking/Standalone
Reserved	※0: Deactivate	1: Activate	016	Networking/Standalone
Keep beeing while arming is enabled	※0: Deactivate	1: Activate	032	Networking/Standalone
Door relay connected to AR-721RB (suited to models without relay built-in)	※0: Deactivate	1: Activate	064	Networking/Standalone
Arm relay connected to AR-721RB (suited to models with relay built-in)	※0: Deactivate	1: Activate	128	Networking/Standalone

AR-321-H / AR-331-H / AR-721-H / AR-725-H

24 * ??? #				※Default Value
Function	Selection		Value	Application
Auto Open without Presenting in Auto-open Time Zone	※0: Disable	1: Enable	001	Networking/Standalone
Alarm Output/ Lift Control	※0: Alarm Output	1: Lift Control	002	Networking/Standalone
©Enable swipe any tags to release door open	※0: Disable	1: Enable	032	Networking/Standalone
Stop Alarm by pressing RTE Button or Closing the Door	0: None	※ 1: Yes	064	Networking/Standalone
Doorbell	※0: Disable	1: Enable	128	Networking/Standalone

© Add value 032 means to activate, deduct value of 032 means to deactivate the function of swipe any tags to release door open

AR-757-H

				※Default Value
Function	Selection		Value	Application
Auto Open without Presenting in Auto-open Time Zone	※0: Disable	1: Enable	001	Networking/Standalone
Lift Control/ Duress Function	※0: Duress	1:Lift Control	002	Networking/Standalone
Stop Alarm by pressing RTE Button or Closing the Door	0: None	※1: Yes	064	Networking/Standalone

Factory Reset

Reset User Data	Reset User Data & Controller Parameter (incl. Master Code)	Reset User Data & Controller Parameter (incl. Master Code) & Reset Parameter Setting- SOR
Enter program mode →29 * 29 * # → Exit the programming mode	Enter program mode →29 * 20 * # → Exit the programming mode	Enter program mode →29 * 21 * # → Exit the programming mode

※If forgotten the current Master Code, Reset through software tools is required. Please refer to the FAQ for more detail : [How to change or reset different kinds of Controller Settings, including Master Code, Parameter Setting and User Data?](#)

Command List

	Function	Command	Description
Master Code Setting	Enter program mode	* P P P P P #	P P P P P = Master Code, default value = 123456
	Master code setting	09 * P P P P P R R R R R #	P P P P P = 6-digit new master code R R R R R = Reconfirm the new master code
Card Setting Commands	Suspend tag	10 * S S S S * E E E E #	* = Suspend 9 = Delete; S S S S = Starting User Address ; E E E E = Ending User Address
	Delete tag	10 * S S S S 9 E E E E #	S S S S = Starting card number E E E E = Ending card number
	Add a batch of sequential cards by inputting card number (M6)	11 * S S S S * E E E E #	S S S S = Starting card number ; E E E E = Ending card number
	Recover the suspended cards(M4/M8)	11 * S S S S * E E E E #	S S S S = Starting card number ; E E E E = Ending card number
	Card number modification(M4/M8)	16 * U U U U U * S S S S C C C C #	U U U U U = User Address; S S S S = 5-digit site code; C C C C = 5-digit card code
	Add card by presenting(M4/M8)	19 * U U U U U * Q Q Q Q #	U U U U U = User Address; Q Q Q Q = Card quantity (00001: for adding a single card or a batch of random numbering cards)
	Add/Delete tag by presenting(M6)	22 * N #	N=0(Delete tag); N=1(Add tag)
	Delete all tags	29 * 29 * #	
	Enable/Disable Door open for any Tag	0 #	After enabling Door Open For Any Tag, all cards in same frequency as controller can pass directly.
Additional Card Function Setting	Mifare tag / card format (Optional) (M4/M8)	01 * N #	N:0=ISO14443A ; 1=ISO14443B 2=ISO15693 ; 3=I Code1 ; 4=I Code2 PS.1. Please select the transmission standard first. 2. Ensure both reader and card using the same transmission standard.
	Administrator Card setting (M4/M8)	07 * S S S S * E E E E # (07 * Starting User Address * Ending User Address #)	S S S S - E E E E = 00000-00255 (Administrator Card can enter the program mode after present the card and press # in 3 seconds, also can exit program mode by present the card.)
	Enable the security trigger signal (with AR-721RB)	34 * ??? #	Change the "Arming" to the security trigger signal, when controller is connected with AR-721RB. Please refer to Compound Command Function List for details.
Access Mode Setting	Control mode setting	04 * N #	N=4: M4; N=6: M6; N=8: M8
	Card or PIN (M4/M8) Modify the PIN with user address, change the pass mode into Card or PIN	12 * U U U U U * ??? #	Pass by Card or PIN; U U U U U = User Address; ??? = 4-digit PIN (0001~9999); 0000=Set as card only
	Card and PIN (M4/M8) Modify the PIN with user address, change the pass mode into Card and PIN	13 * U U U U U * ??? #	Pass by Card and PIN; U U U U U = User Address; ??? = 4-digit PIN (0000~9999)

Command List

	Function	Command	Description
Access Mode Setting	Card or PIN(M6) Set up the mutual PIN in Card or PIN mode	15 * ???? #	????=4-digit PIN(0001~9999 ; default value=4321)
	Card and PIN(M6) Set up the mutual PIN in Card and PIN mode	17 * ???? #	????=4-digit PIN(0001~9999 ; default value=1234) 0000= Set as card only
Arming /Duress Function Setting (M4/M8 applicable , but not M6)	Setting duress PWD(M4/M8)	15 * ???? #	????=4-digit PIN(0001~9999 ; default value=4321) ※The Duress Code 0000 means that disable Duress Function and the default value is set as 0000 already.
	Setting arming PWD(M4/M8)	17 * ???? #	????=4-digit PIN(0001~9999 ; default value=1234)
Node ID Setting	Node ID setting (Connected to 716E)(M4/M8)	00 * NNN #	NNN=Node ID of Access Controller (range: 001~016)
	Node ID setting (Connected to the PC directly without 716E) (M4/M8)	00 * NNN * VVV * nnn #	NNN=Node ID of Access Controller (range: 001~254) VVV=Virtual 716E Node ID, nnn=Door number (range:001~254)
Time /Delay Setting	Door Relay Time setting	02 * TTT #	TTT=Door relay time 000= Output continuously 001~600=1~600 sec. 601~609=0.1~0.9 sec.
	Alarm Relay Time setting	03 * TTT #	TTT=Alarm relay time 000= Output continuously 001~600=1~600 sec.
	Arming Delay Time setting	05 * TTT #	TTT=the buffer time before entering arming mode 001~600=1~600 sec.
	Alarm Delay Time setting	06 * TTT #	TTT=the buffer time before the alarm is activated 001~600=1~600 sec.
	Arming Pulse Time setting	14 * TTT #	TTT=Arming output time; 000=output continuously 001~250=0.1~2.5 sec.
	Door Close Time	18 * TTT #	TTT=Door Close Time: 001~600=1~600 sec.; default value: 15 sec.
	Controller time clock setting	25 * YYMMDDHHmmss #	YYMMDDHHmmss=Year/ Month/ Day/ Hour/ Min./ Sec.
Controller Additional Function Setting	Same tag reading interval time	31 * TTTT #	TTTT=10~6000 (Base on 10ms, range from 10 to 6000; default value: 1 sec.: 0100)
	Reader additional setting	20 * ??? #	
	Controller parameter setting	24 * ??? #	Please refer to Compound Command Function List for details.
	Dual-door Control / Force Open Alarm	28 * ??? #	
	Auto-open time zone setting	08 * N * HHMMhhmm * 7123456H #	N= 0 (1st time zone) / 1 (2nd time zone) HHMM= Starting time; hhmm= ending time (i.e.: 08301600=08:30 to 16:00) 7123456H= 7 days of week (Sun/Mon/Tue/Wed/Thu/Fri/Sat)+ Holiday(H= 0: disable; 1: enable); Holidays can be set by 701Client software.
	Anti-pass-back (Enable user)	26 * SSSSS * EEEEE * N #	SSSSS=Starting User Address; EEEEEE=Ending User Address; N=0: Enable; N=1: Disable; N=2: Reset
	Enable/Disable keypad lock	* # (simultaneously)	After enabling keypad lock function, press any button will only has two beeps and no reaction. Disable the keypad lock function will bring controller keypad function back to normal. (only Keypad Controllers have this function ex. AR-721-H; Touch Keypad Controllers do not have this function ex. AR-725-H)
Lift Control Setting	Controller parameter setting	24 * 002 #	
	Lift control setting: multi-floor(M4/M8)	21 * UUUUU * S * FFFFFFFF #	UUUUU=User Address, S=4 sets of lift control (0~3); FFFFFFF=8 assigned floor(F=0: Disable, 1: Enable)
	AR-401RO16 Lift Relay Activated TM (M4/M8)	23 * NNN * TTT #	NNN=site number, TTT= relay time: 000~600=1~600 sec.
	Lift control setting: single floor(M4/M8)	27 * UUUUU * FF #	UUUUU=User Address; FF=Floor (01~32 floor)
Exit Program Mode	Exit program mode	* #	
	Exit program mode and enter arming mode(M4/M8)	* * #	

※ More Details : [Introduction of New Function Commands for Enterprise E Controller and Home H Controller](#)